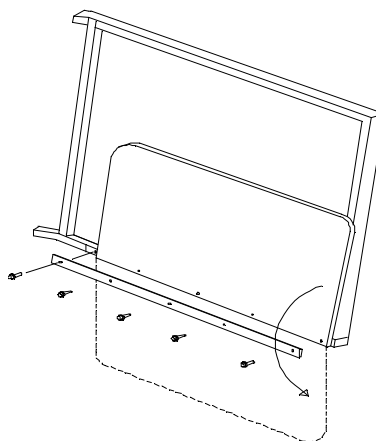


INSTALLATION SHOULD ONLY BE PERFORMED BY A SUITABLY SKILLED PERSON.

Parts List					
ITEM	QTY	DESCRIPTION	ITEM	QTY	DESCRIPTION
1	1	STONE GUARD ASSY	4	4	M12 NUT
2	2	MUDFLAP	5	4	M12 SPRING WASHER
3	2	U BOLT M12	6	4	M12 FLAT WASHER

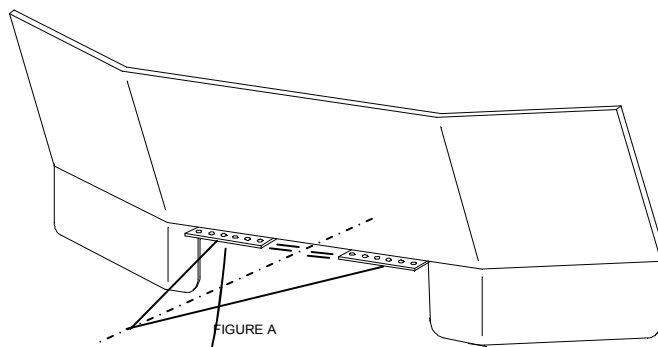
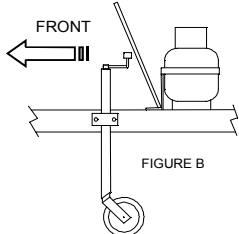
STEP 1

- 1/ Remove 5 mudflap retaining screws.
- 2/ Remove aluminium retaining strip.
- 3/ Rotate mudflap to vertical position.
- 4/ Replace aluminium retaining strip.
- 5/ Re-install 5 retaining screws and tighten.



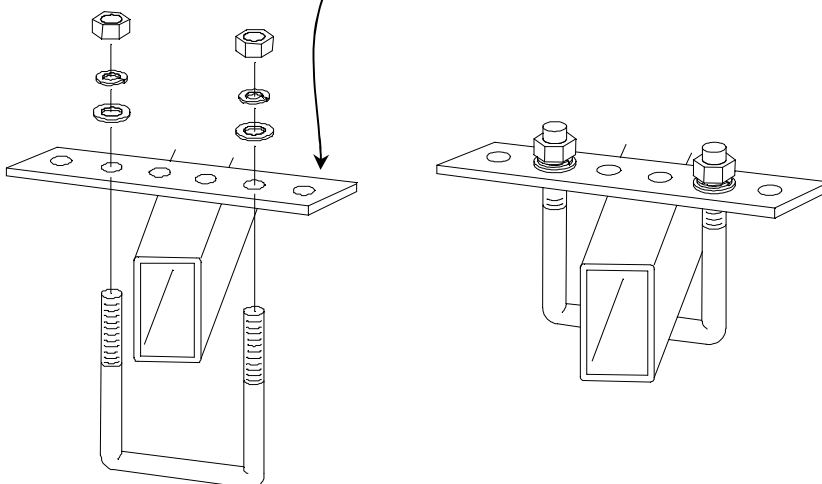
STEP 2

- 1/ Locate stone guard centrally on "A Frame". (FIGURE A)
- 2/ Allow sufficient room for rotation of jockey wheel handle. (FIGURE B)
- 3/ Allow sufficient room for vehicle articulation to prevent vehicle contact with stone guard.



STEP 3

- 1/ Place U Bolt around chassis member.
- 2/ Locate U bolt through suitable holes in mounting plate.
- 3/ Place M12 flat washer onto U Bolt thread.
- 4/ Place M12 spring washer onto U Bolt thread.
- 5/ Attached M12 nut.
- 6/ Repeat in 3 other places.
- 7/ Tighten all nuts securely.



PERIODICALLY CHECK TO ENSURE THAT ALL FASTENERS ARE TIGHT AND THAT ALL STRUCTURAL COMPONENTS ARE SOUND.